

WELD PAD STYLE LEVEL GAUGE SERIES RS |

PAPAILIAS The Series RS weld pad style level gauge/sight glass provide reliable, direct level readings in closed tanks. Manufactured from rolled bar stock the Series RS is designed to withstand the severe service requirements found in process vessels and reactors. These sight glasses can be supplied in carbon steel or Type 304, 304L, 316, and 316L stainless steel or other alloys with plain or reflex glass.

ASME code calculations and any resulting additional material needed to reinforce sight glass opening to meet ASME code is the responsibility of the buyer.

DESIGN CONDITIONS:

Pressure: Standard lengths are listed with special sizes available. Recommended for pressures & temperatures up to 150 PSIG and 500°F (260°C). Consult factory for details or higher operating conditions.

Temperature: Standard Maximum pressure is 500°F with compatible gaskets. For higher ratings Fused Quartz [plain only] may be used with a graphite gasket.

STANDARD MATERIALS OF CONSTRUCTION:

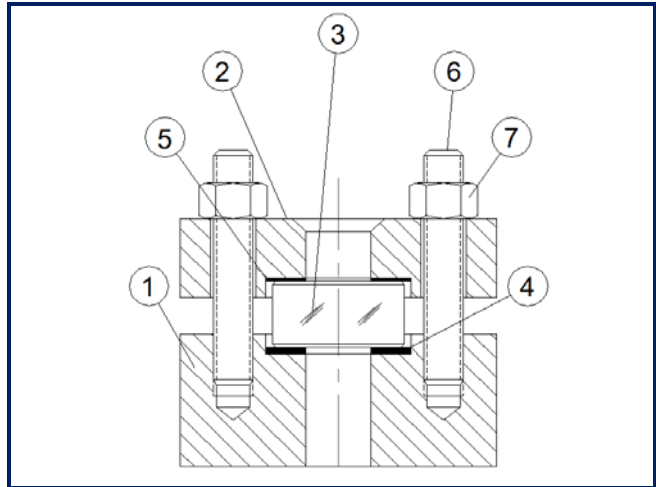
Item	Description	Material
1, 2	Lower Flange, Lens Retainer	A516 Gr70 Carbon Steel SA240 T304/304L Stainless Stl SA240 T316/316L Stainless Stl Other upon request
3	Lens:	Tempered Borosilicate [plain] ≤ 500°F Tempered Borosilicate [reflex] ≤ 500°F Fused Quartz [plain style only] >500°F Lexan/Acrylic [plain style only] ≤ 200°F
4	Seal Gasket	EPDM Elastomer [300°F Max] Expanded PTFE [500°F Max] Fluoroelastomer [400°F Max] Graphite [>500°F] Other upon request
5	Cushion	Non-Asbestos Fiber, or Other
6	Stud	A193 B7, A193 B8 or Other
7	Hex Nut	A194 2H, A194 Gr8 or Other

OPTIONAL ACCESSORIES:

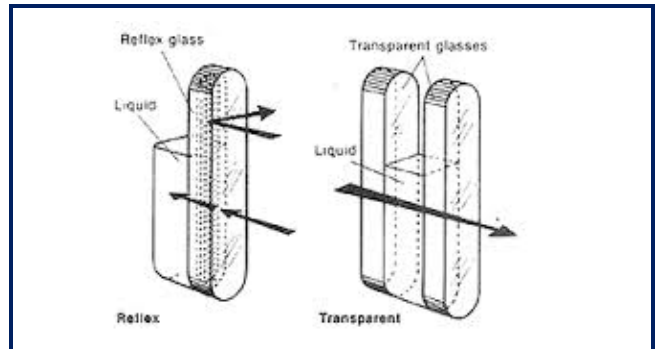
- a. Mica or PCTFE [Kel-F] lens shields [plain glass only].
- b. Frost Free Extension for Cryogenic applications.
- c. Radius on weld pad to match tank geometry.



SERIES RS 2X SECTION WELD PAD STYLE LIQUID LEVEL GAUGE

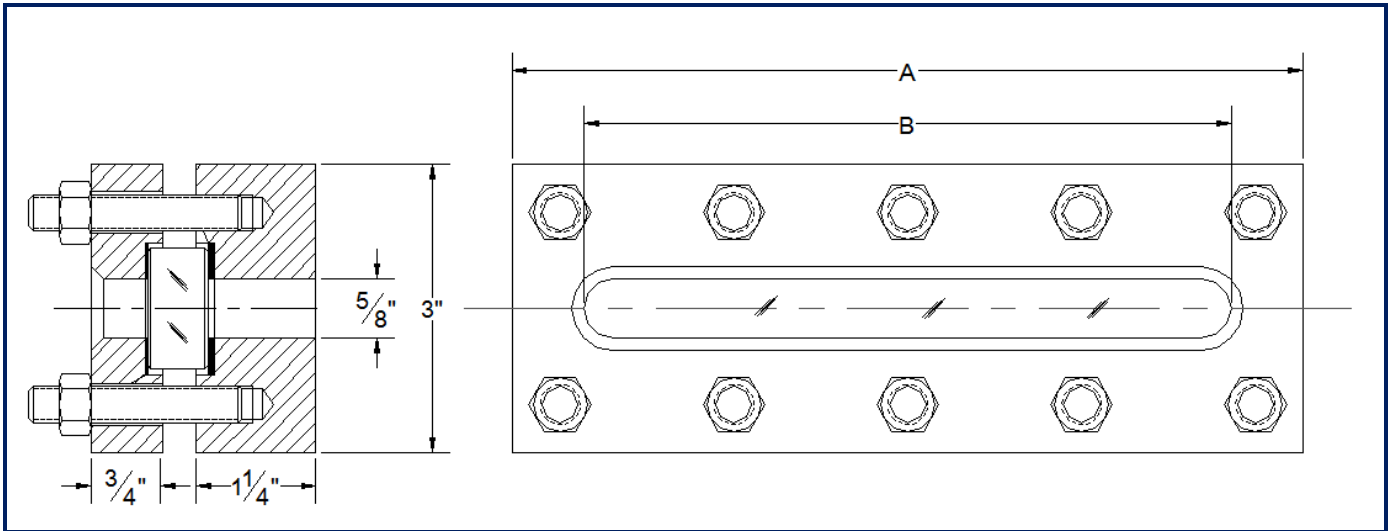


SERIES RS WELD PAD STYLE LEVEL GAUGE CROSS SECTION



REFLEX VS. PLAIN STYLE GAUGE GLASS

DATA SHEET | J.G. Papailias Co., Inc. Series RS Weld Pad Style Level Gauge



Part No.	# Section	A	B	Weight
1x1	1	5 1/4"	3 3/4"	13
1x2	1	6 1/4"	4 3/4"	15
1x3	1	7 1/4"	5 3/4"	18
1x4	1	8 1/4"	6 3/4"	18
1x5	1	9 3/8"	7 7/8"	21
1x6	1	10 5/8"	9 1/8"	23
1x7	1	11 3/4"	10 1/4"	26
1x8	1	13 3/8"	11 7/8"	28
1x9	1	14 3/8"	12 5/8"	30
2x4	2	16 1/2"	15"	36
2x5	2	18 3/4"	17 1/4"	42
2x6	2	21 1/4"	19 3/4"	46
2x7	2	23 1/2"	22"	52

Part No.	# Section	A	B	Weight
2x8	2	26 3/4"	25 1/4"	56
2x9	2	28 3/4"	26 3/4"	60
3x6	3	31 1/8"	30 3/8"	69
3x7	3	35 1/4"	33 3/4"	78
3x8	3	40 7/8"	38 3/8"	84
3x9	3	42 3/8"	40 7/8"	90
4x7	4	47"	45 1/2"	104
4x8	4	53 1/2"	52"	112
4x9	4	56 1/2"	55"	120
5x7	5	58 3/4"	57 1/4"	130
5x8	5	66 3/8"	65 5/8"	140
5x9	5	70 5/8"	69 5/8"	150

ORDERING INFORMATION:

--	--	--	--	--	--

Part Number:

From Table Above

Weld Pad:

CS - SA516 Gr70
 304 - 304/304L SST
 316 - 316/316L SST
 C22 - Alloy C22
 C276 - Alloy C276
 A20 - Alloy 20
 Other - Specify

Lens Retainer:

CS - SA516 Gr70
 304 - 304/304L SST
 316 - 316/316L SST
 C22 - Alloy C22
 C276 - Alloy C276
 A20 - Alloy 20
 Other - Specify

Lens:

RTBS - Reflex Type Temp. Borosilicate
 PTBS - Plain Type Temp Borosilicate
 QTZ - Fused Quartz
 ACR - Cast Acrylic
 LEX - Polycarbonate
 Other - Specify

Seal Gasket:

EPDM - EPDM
 TFE - ePTFE
 FKM - Viton/FKM
 SIL - Silicone
 NEO - Neoprene
 GPH - Graphite
 Other - Specify

Option:

Rxxx - Machined Radius in weld Pad [Specify in inches]
 Other - Specify

Notes:

- ASME code calculations and any resulting additional material needed to reinforce sight glass opening to meet ASME code is the responsibility of the buyer.
- Sample Part #: RS3X7/304/304/RTBS/TFE/R16 - Series RS 3x7, 3 Section No. 7 weld pad style level gauge with 304/304L stainless steel weld pad and lens retainers. Reflex Style Tempered Borosilicate Glass Lens, Expanded PTFE Seal Gasket. Weld Pad machined to match a cylindrical vessel with a 16" radius.